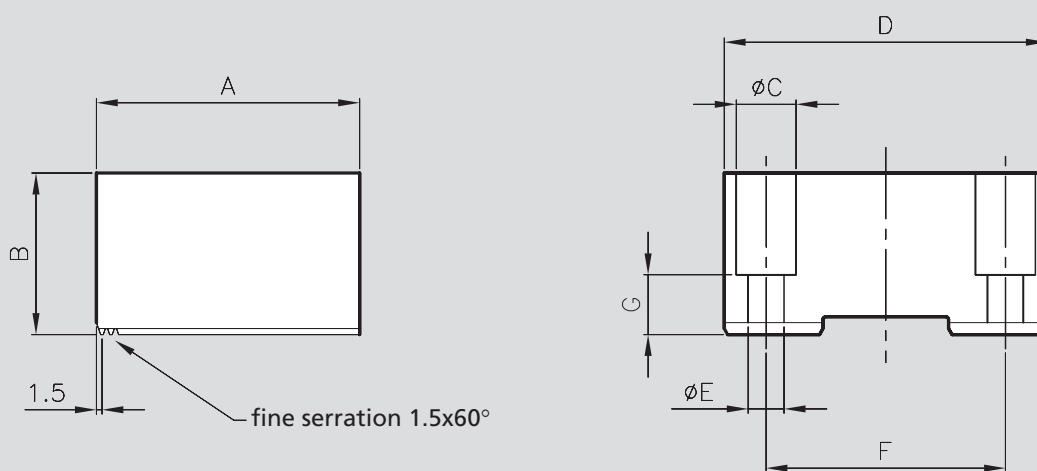


Morsetti fresabili
Top jaws blanks
Aufsatzbackenrohlinge
Mors doux rapportés



MATERIALE: 18 Ni Cr Mo 5, temprabile
MATERIAL: 18 Ni Cr Mo 5, hardenable
WERKSTOFF: 18 Ni Cr Mo 5, härtbar

VERSIONE: morbide, senza fori
VERSION: soft, without bore holes
AUSFÜHRUNG: weich, ungebort

Type	N° ident.	Suitable for	A	B	C	D	E	F	G
66	MT-CFB 66	CFB 66	28.5	20	8	34	4.5	24	7
100	MT-CFB 100	CFB 100	42	25	11	55	6.6	35	9
160	MT-CFB 160	CFB 160	66	40	15	80	9	60	12
200	MT-CFB 200	CFB 200	87	45	15	106	9	74	15
250	MT-CFB 250	CFB 250	108	50	18	125	11	90	18